








Centura Health -Fountain Urgent Care Casework Shop Drawings

HARDWARE SCHEDULE				
ITEM	DESCRIPTION	PRODUCT REFERENCE	FINISH	IMAGE
CABINET PULL	* BRUSHED NICKEL METAL WIRE D-PULL *5" CENTER TO CENTER	RICHELIEU BP6211128	BRUSHED NICKEL	
CABINET HINGES	*120-Degree+ Opening * 3-DIMENSIONAL ADJUSTMENT * TOOL FREE ASSEMBLY & REMOVAL	BLUM #73T5550	NICKEL	
DRAWER SLIDES	*FULL EXTENSION DRAWER SLIDE *100LBS RATING	ACCURIDE #3832	ZINC FINISH	
SHELF SUPPORT	* ALLOWS FOR SHELF HEIGHT ADJUSTMENT 32mm SPACING * 90KG LOAD CAPACITY	RICHELIEU 2289180	NICKEL	
CABLE GROMMET	* 72mm O/A DIA. * 60mm DRILL DIA.	RICHELIEU #600910	SELECT COLOUR: WHITE (30) BLACK GREY (100) ALMOND (40) BROWN (60)	
METAL BRACKET	*HEAVY DUTY METAL BRACKET, 1000LBS RATING PER PAIR	SPEED BRACE SOLD BY RICHELIEU #918151890	BLACK	
CONCEALED METAL SUPPORT BRACKET	LOAD LIMIT RANGE OF 1800 LBS TO 7960 LBS PER PAIR	A&M HARDWARE C18 BRACKETS	BLACK	

ARCHITECT

Approved
 Approved As Noted
 Redraw And Resubmit
 Disapproved

These shop drawings have been reviewed by:

Signature

Title

Date

NOTES

Index Of Drawings	
Sheet Number	Sheet Name

A0	Cover
A1	Overall Floor Plan
A2	Reception 102
A3	Lab 106
A4	Clean-Work/Meds 107
A5	Care Team 108
A6	Exam 110
A7	Exam 111
A8	Exam 112
A9	Triage 113
S1	Typ.Cabinet Sections
S2	Typ.Cabinet Sections
S3	Typ.Cabinet Sections
S4	Typ.Cabinet Sections
S5	Typ.Cabinet Sections
S6	Typ. Reception Counter Section

CASEWORK FINISH SCHEDULE

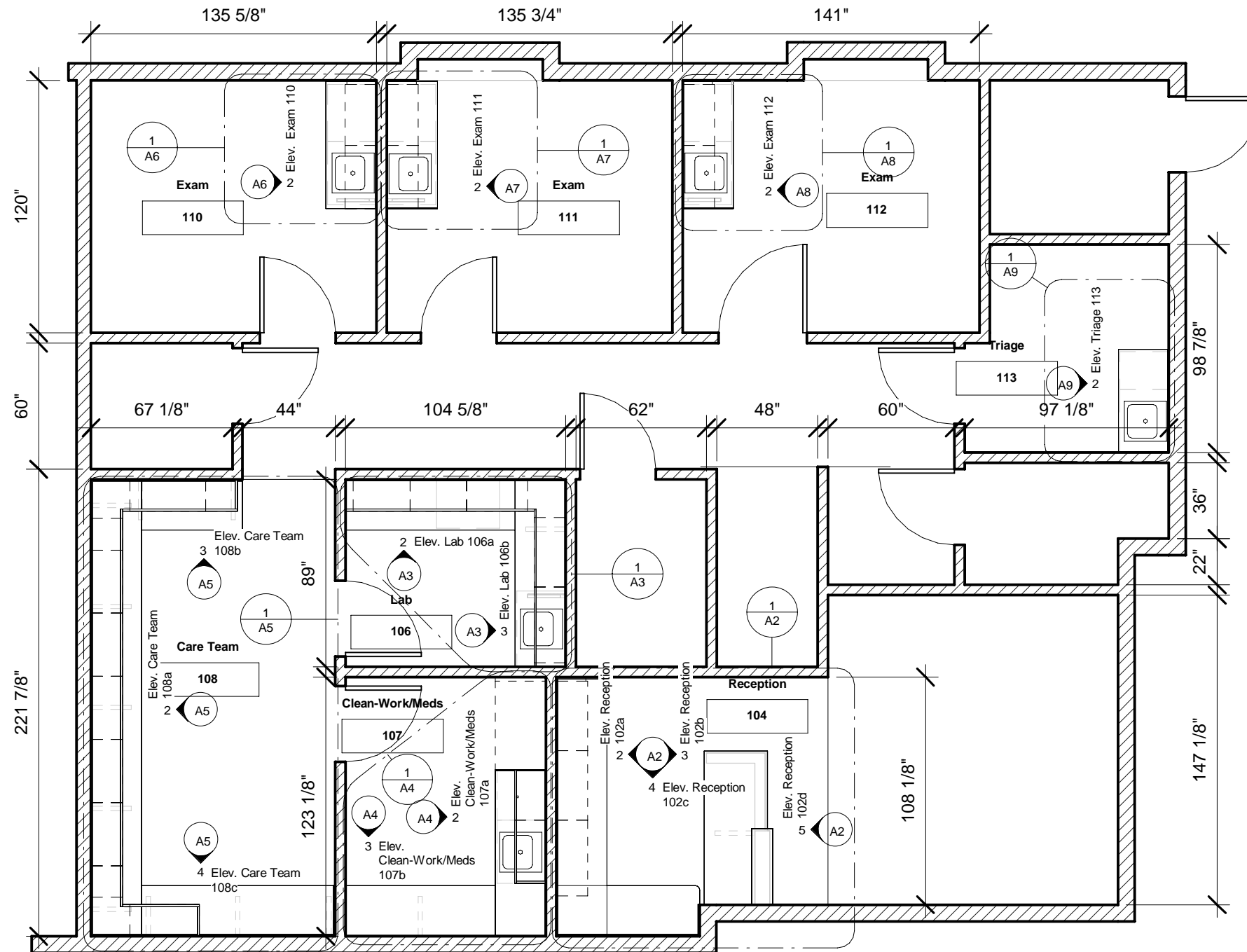
PL1	PLASTIC LAMINATE	FORMICA	COCOA MAPLE 77739-58	VERTICAL CASEWORK , U.N.O.
PL2	PLASTIC LAMINATE	PIONITE	MINERAL TALC AG381, SUEDE FINISH, 3MM MATCHING EDGE BANDING	COUNTERTOP, U.N.O.
SS1	SOLID SURFACE	CORIAN	DOESKIN, SATIN FINISH, THICKNESS 1/2"	COUNTERTOPS WHERE NOTED ON ELEVATIONS
SS2	SOLID SURFACE	CORIAN	WITCH HAZEL, SATIN FINISH, THICKNESS 1/2"	RECEPTION DESK VERTICAL CASEWORK

--

Centura Health -Fountain Urgent Care

Casework Shop Drawings

Cover		A0
Project number	Project Number	
Date	01/02/2020	
Drawn by	RJR	
Checked by	GM	Scale 6" = 1'-0"



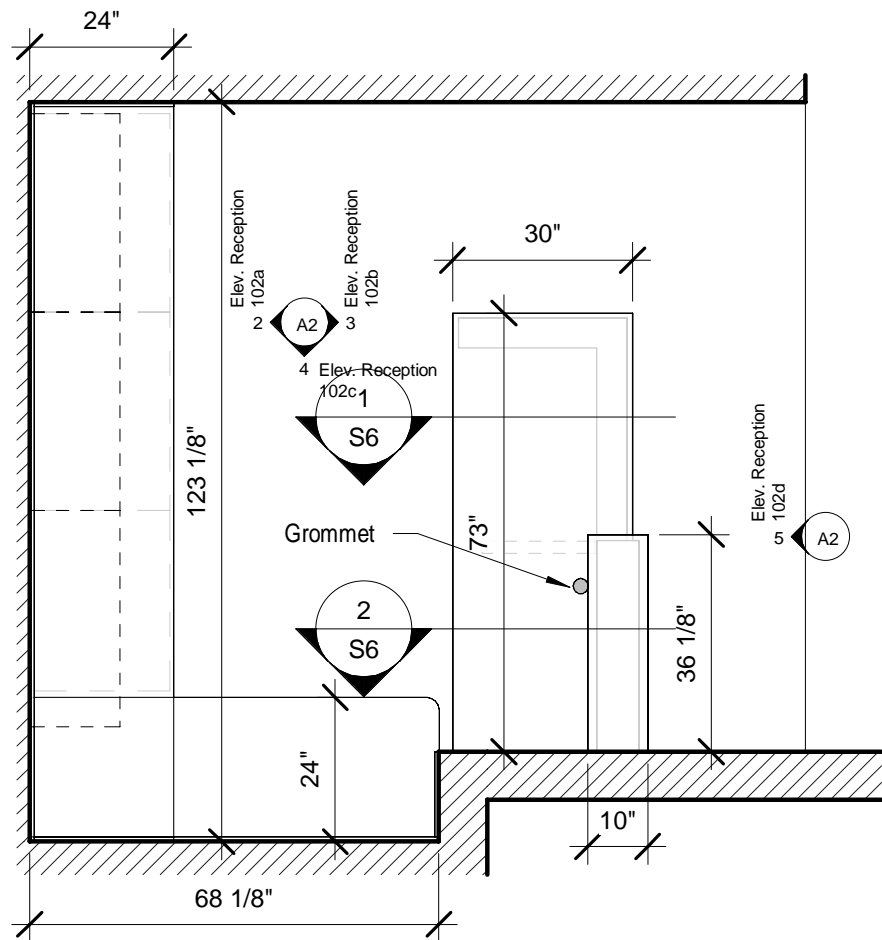
1 Overall Floor Plan
 A1 3/16" = 1'-0"

Centura Health -Fountain Urgent Care

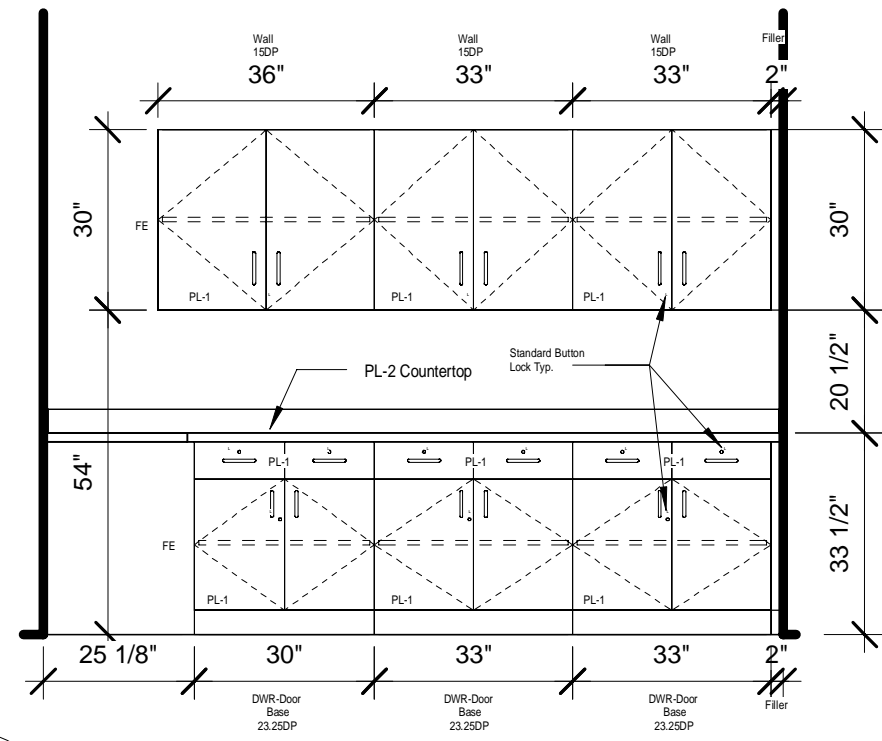
Casework Shop Drawings

Overall Floor Plan

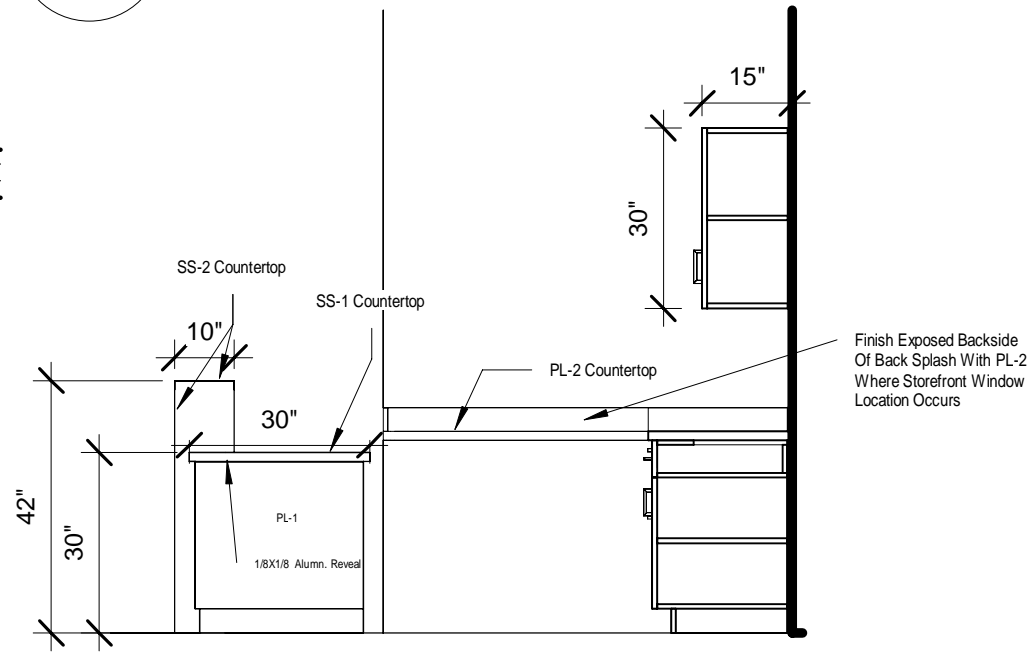
Project number	Project Number	A1
Date	01/02/2020	
Drawn by	RJR	
Checked by	GM	
		Scale 3/16" = 1'-0"



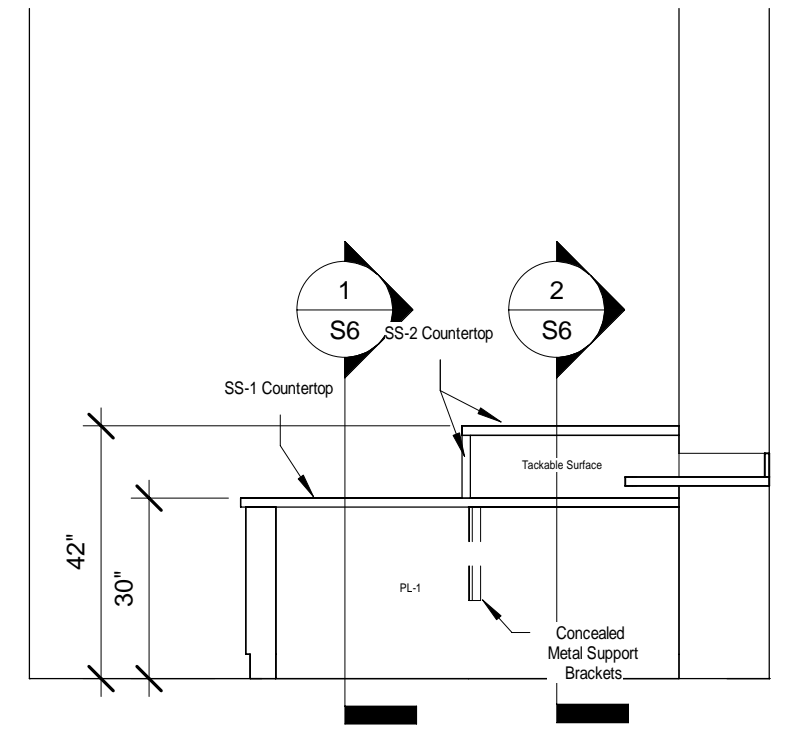
1
A2
Reception 102
3/8" = 1'-0"



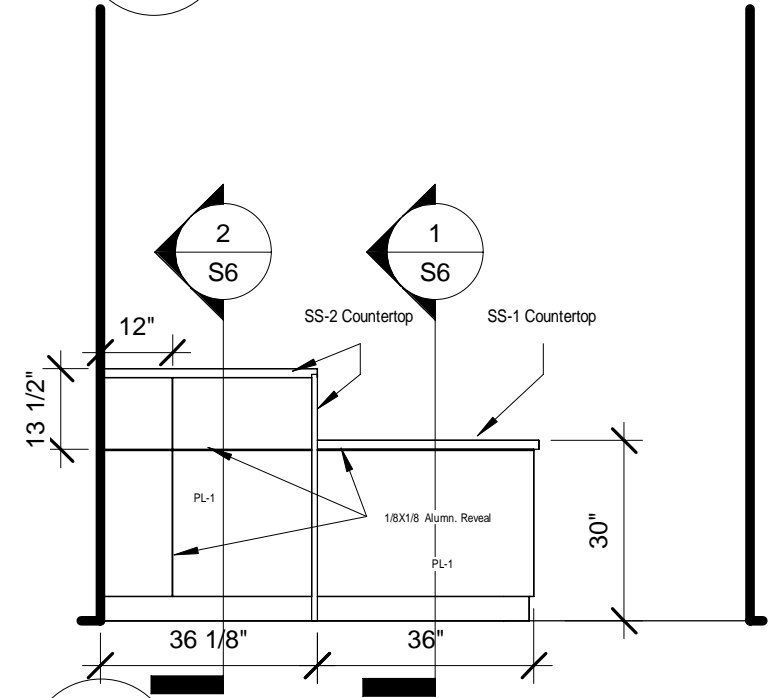
2
A2
Elev. Reception 102a
3/8" = 1'-0"



4
A2
Elev. Reception 102c
3/8" = 1'-0"



3
A2
Elev. Reception 102b
3/8" = 1'-0"

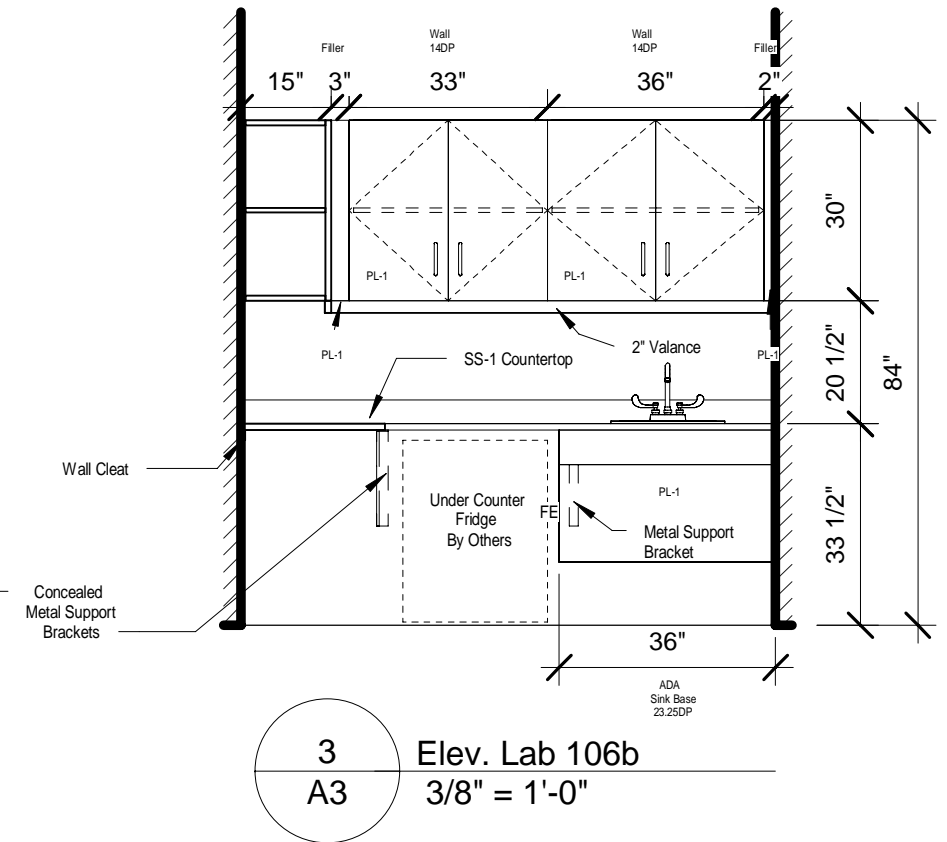
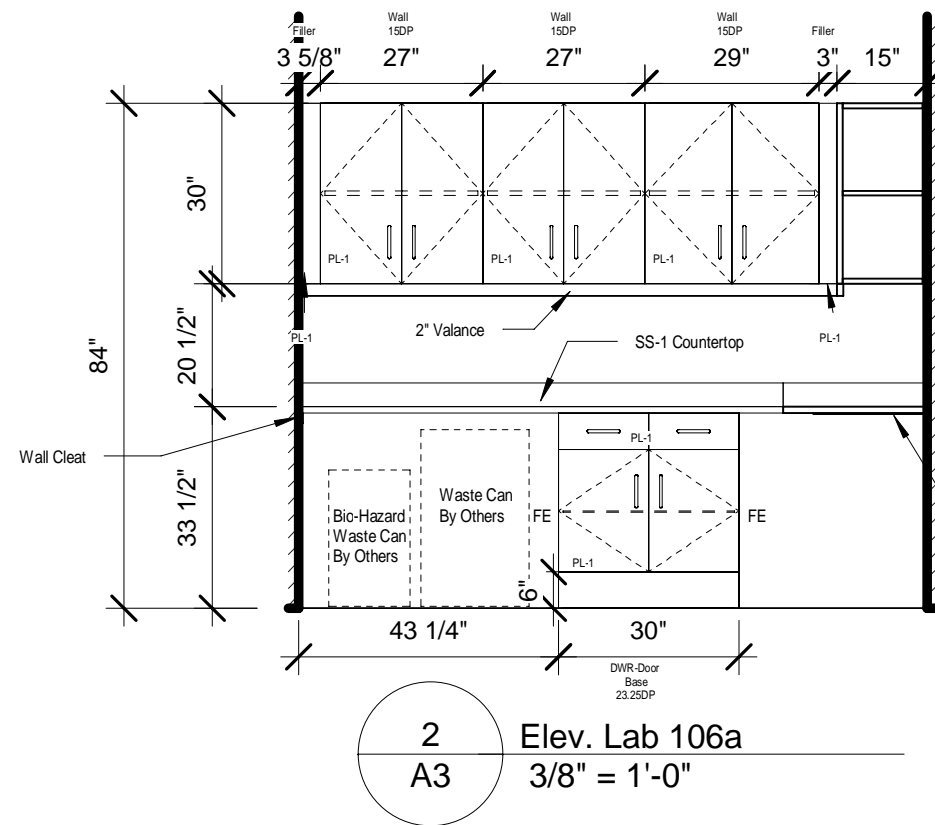
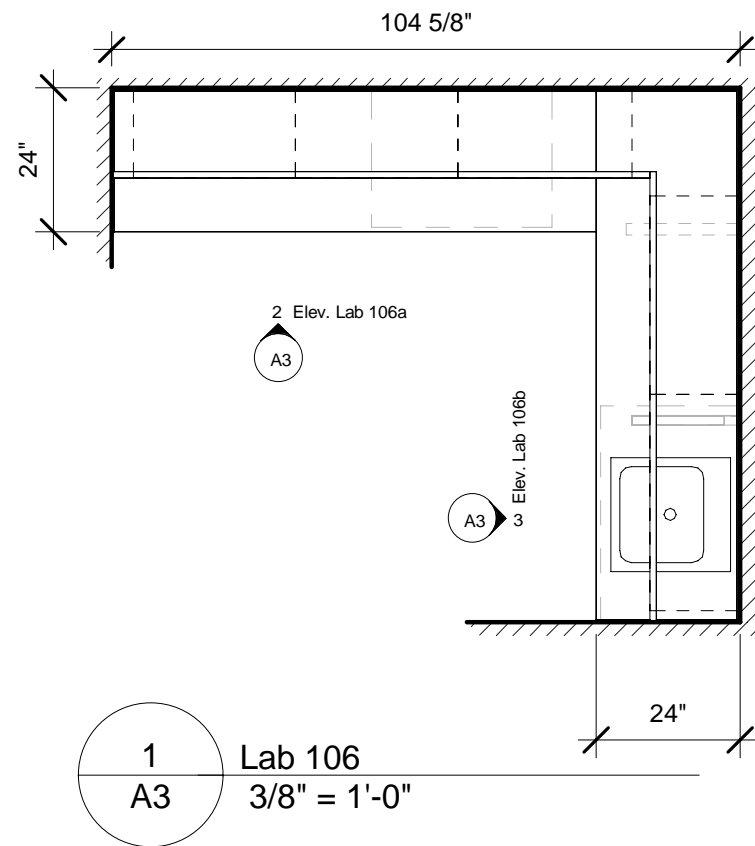


5
A2
Elev. Reception 102d
3/8" = 1'-0"

Centura Health -Fountain Urgent Care

Casework Shop Drawings

Reception 102		A2
Project number	Project Number	
Date	01/02/2020	
Drawn by	RJR	
Checked by	GM	Scale 3/8" = 1'-0"



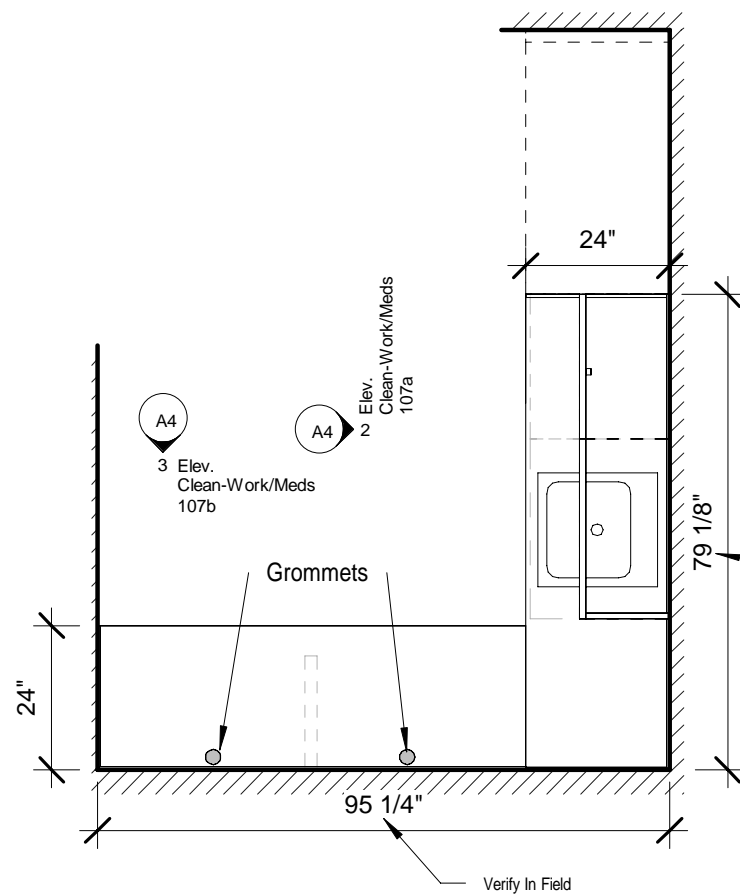
Centura Health -Fountain Urgent Care
Casework Shop Drawings

Lab 106

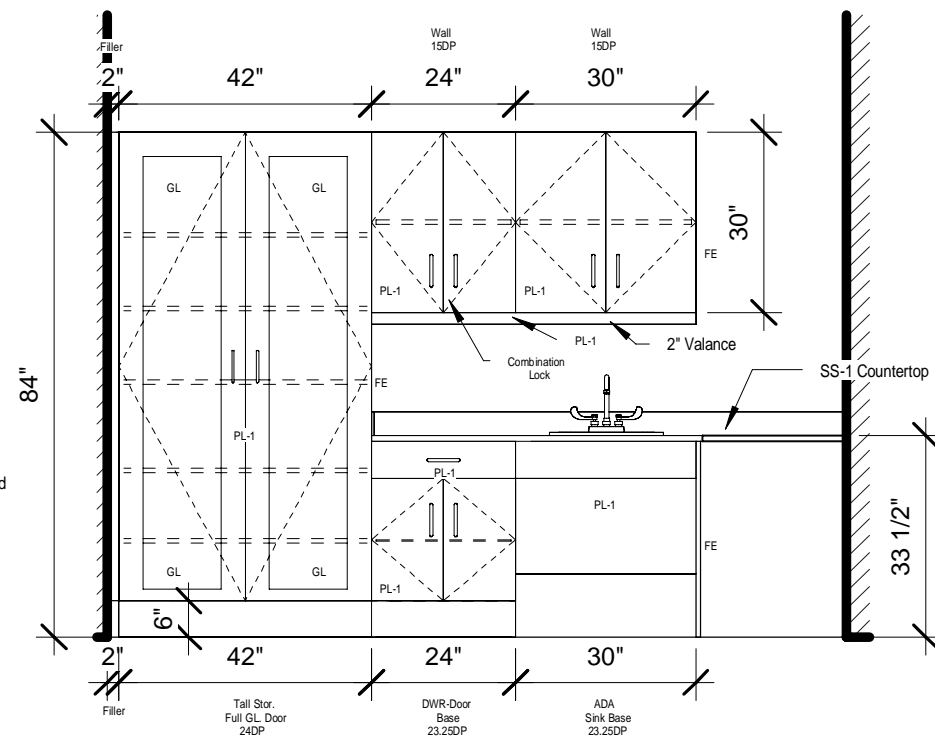
Project number	Project Number
Date	01/02/2020
Drawn by	RJR
Checked by	GM

A3

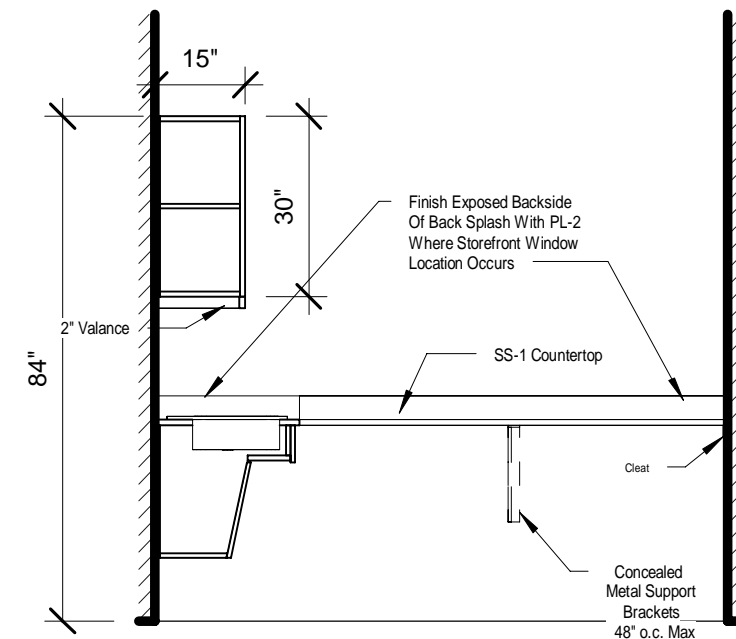
Scale 3/8" = 1'-0"



1
A4
Clean-Work/Meds 107
3/8" = 1'-0"



2
A4
Elev. Clean-Work/Meds 107a
3/8" = 1'-0"



3
A4
Elev. Clean-Work/Meds 107b
3/8" = 1'-0"

Centura Health -Fountain Urgent Care

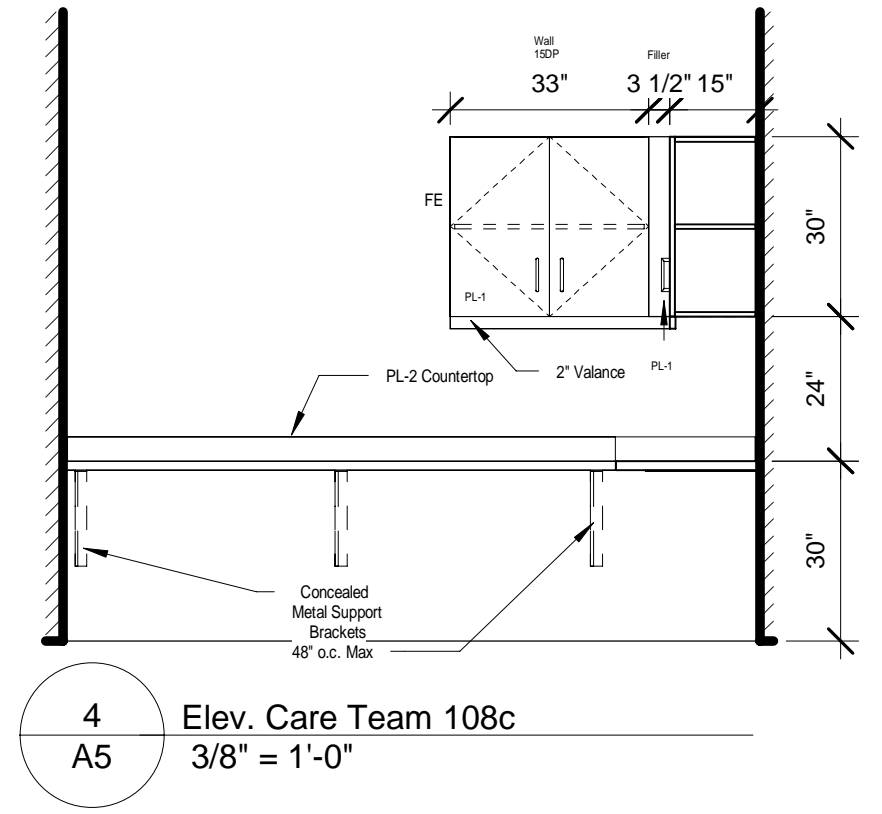
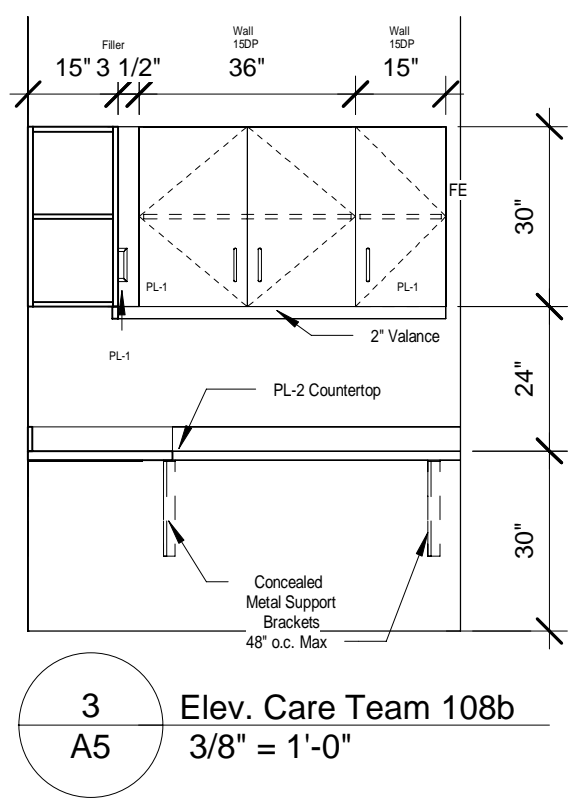
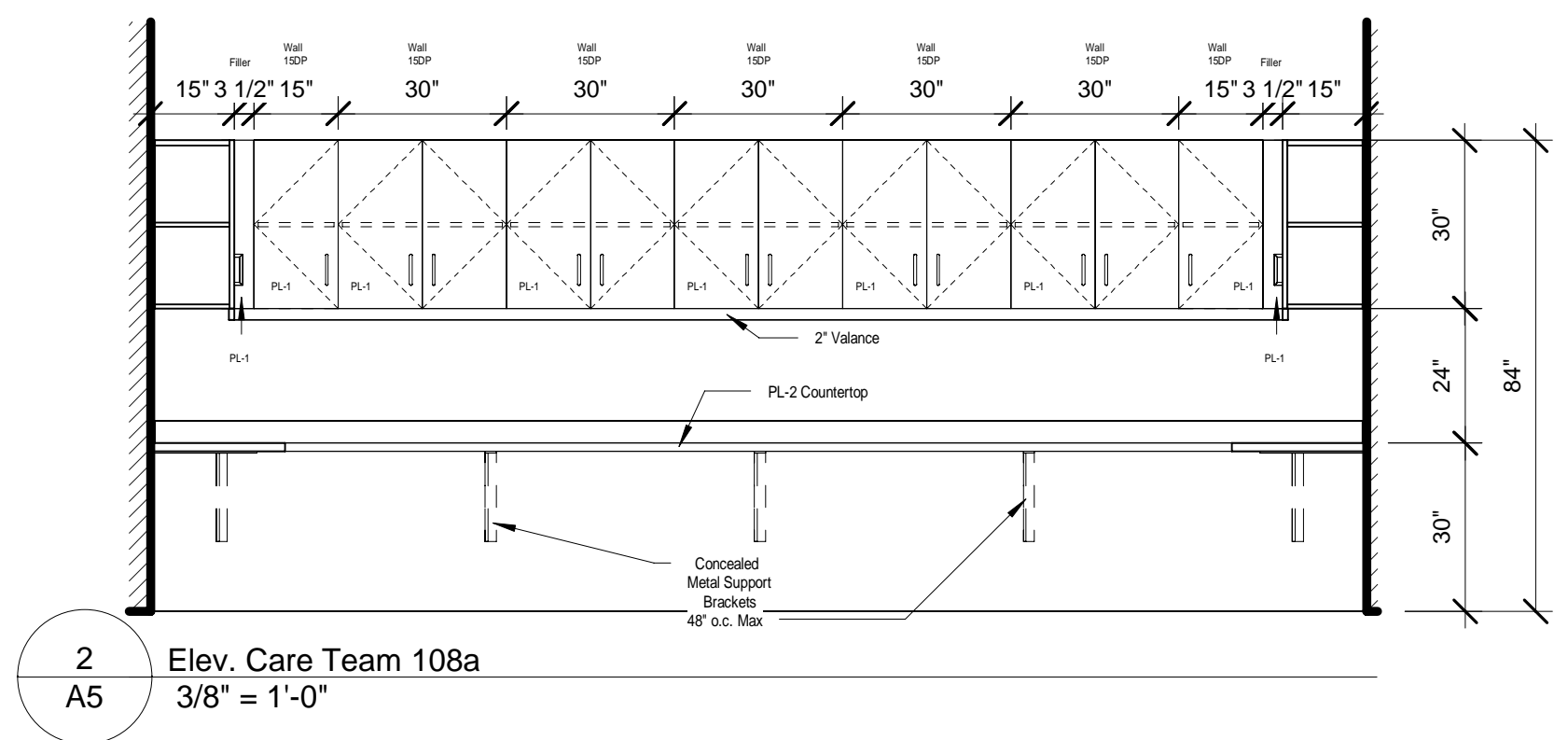
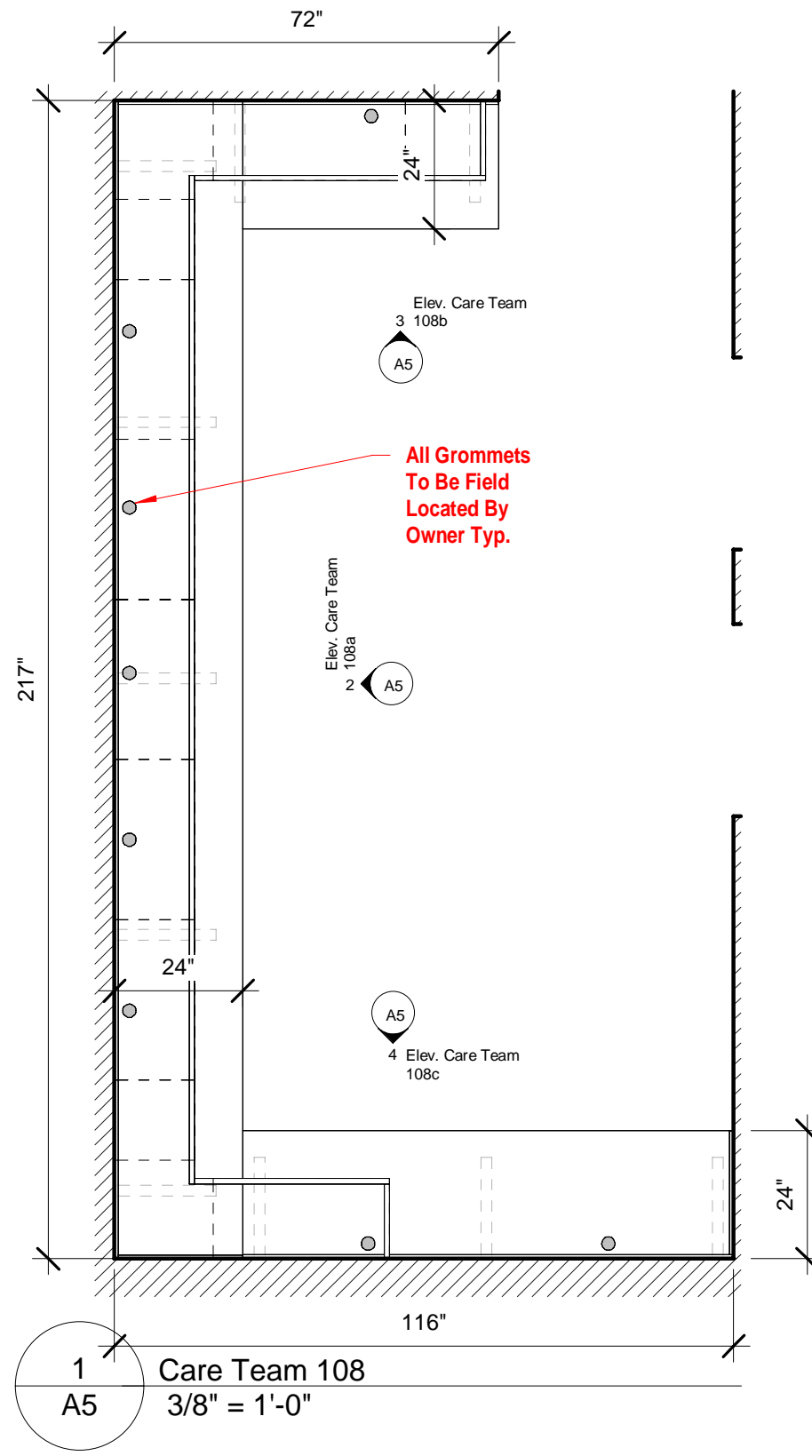
Casework Shop Drawings

Clean-Work/Meds 107

Project number	Project Number
Date	01/02/2020
Drawn by	RJR
Checked by	GM

A4

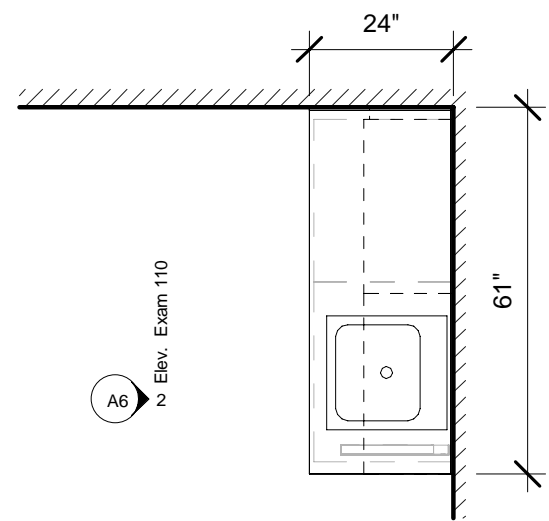
Scale 3/8" = 1'-0"



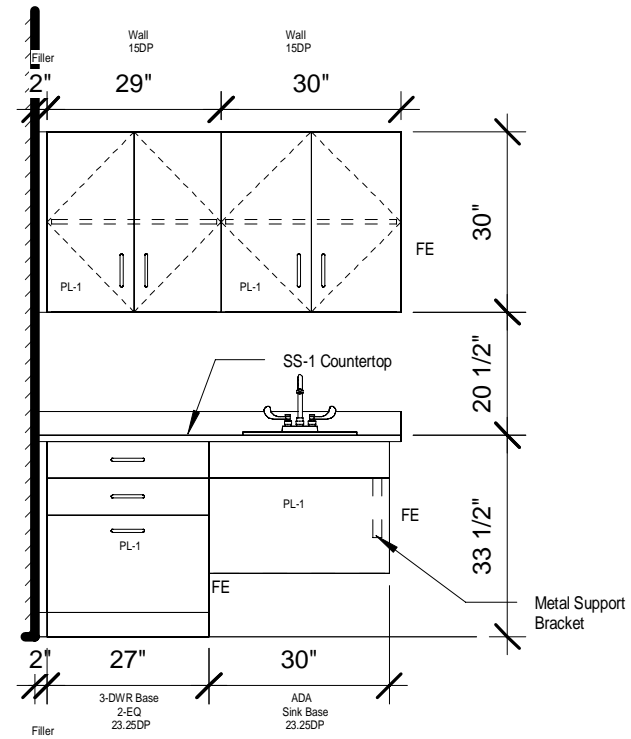
Centura Health -Fountain Urgent Care

Casework Shop Drawings

Care Team 108		A5
Project number	Project Number	
Date	01/02/2020	
Drawn by	RJR	
Checked by	GM	Scale 3/8" = 1'-0"



1 Exam 110
A6 3/8" = 1'-0"



2 Elev. Exam 110
A6 3/8" = 1'-0"

Centura Health -Fountain Urgent Care

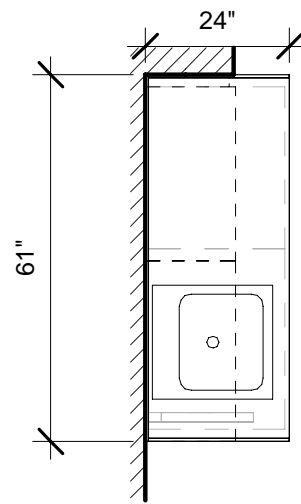
Casework Shop Drawings

Exam 110

Project number	Project Number
Date	01/02/2020
Drawn by	RJR
Checked by	GM

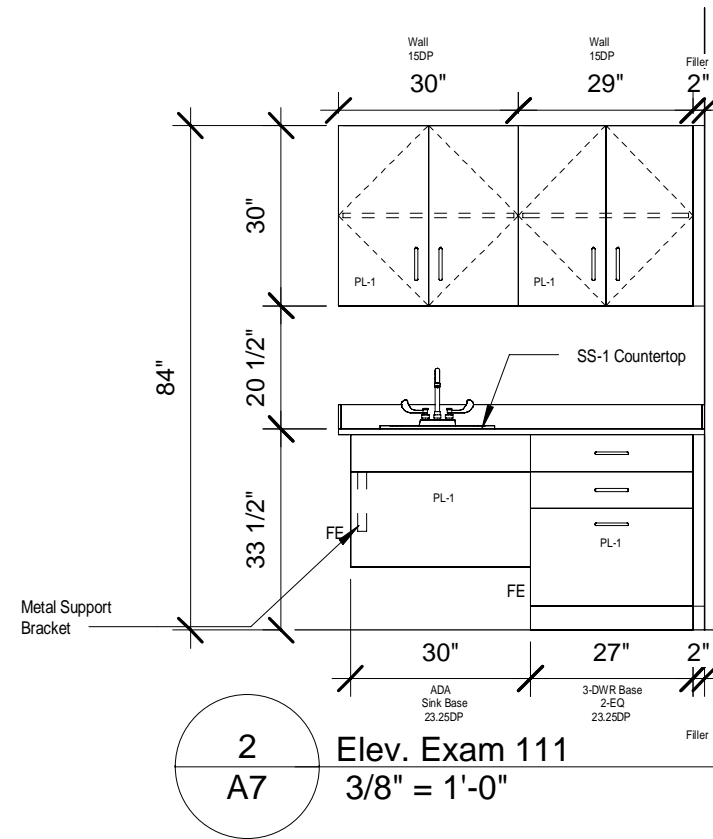
A6

Scale 3/8" = 1'-0"



1 Exam 111
A7 3/8" = 1'-0"

2 Elev. Exam 111
A7



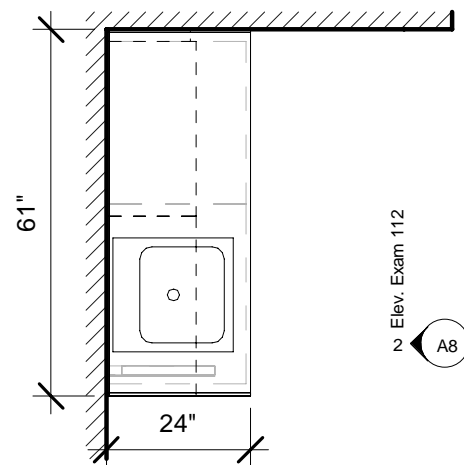
2 Elev. Exam 111
A7 3/8" = 1'-0"

Centura Health -Fountain Urgent Care

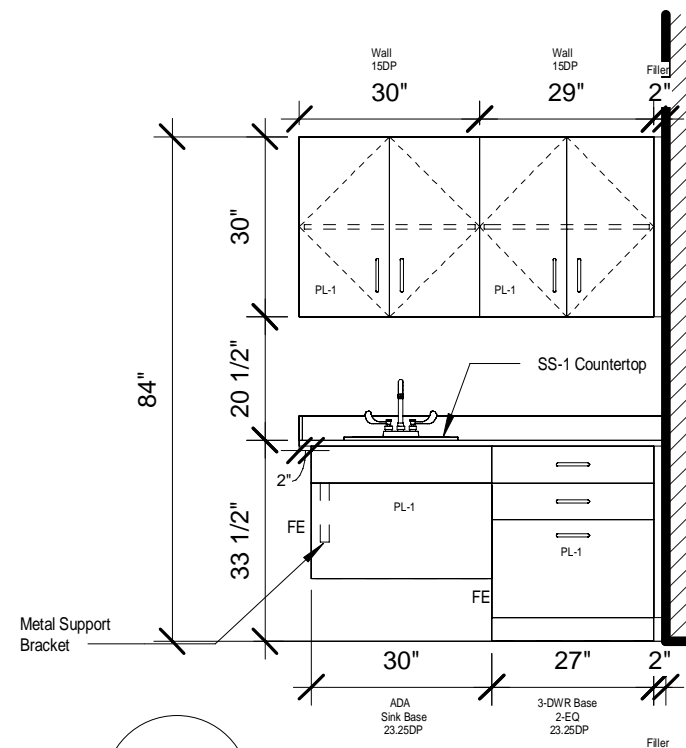
Casework Shop Drawings

Exam 111

Project number	Project Number	A7
Date	01/02/2020	
Drawn by	RJR	
Checked by	GM	
		Scale 3/8" = 1'-0"



1 Exam 112
A8 3/8" = 1'-0"



2 Elev. Exam 112
A8 3/8" = 1'-0"

Centura Health -Fountain Urgent Care

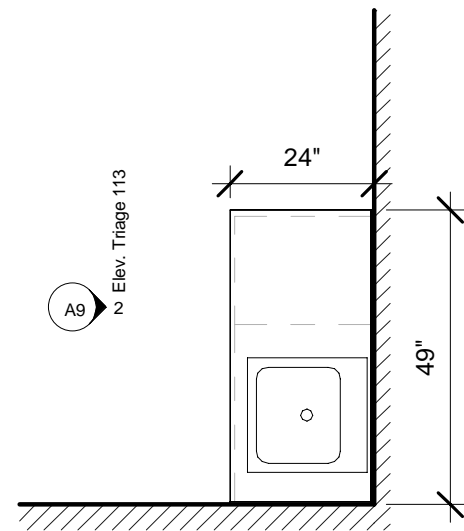
Casework Shop Drawings

Exam 112

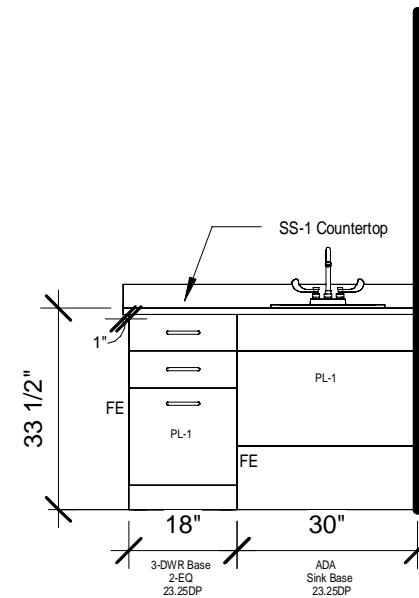
Project number	Project Number
Date	01/02/2020
Drawn by	RJR
Checked by	GM

A8

Scale 3/8" = 1'-0"



1 Triage 113
A9 3/8" = 1'-0"



2 Elev. Triage 113
A9 3/8" = 1'-0"

Centura Health -Fountain Urgent Care
Casework Shop Drawings

Triage 113

Project number	Project Number	A9
Date	01/02/2020	
Drawn by	RJR	
Checked by	GM	
		Scale 3/8" = 1'-0"

ADJUSTABLE SHELF QUANTITIES AS INDICATED ON THE INDIVIDUAL PLAN & ELEVATION VIEWS -- U.N.O.

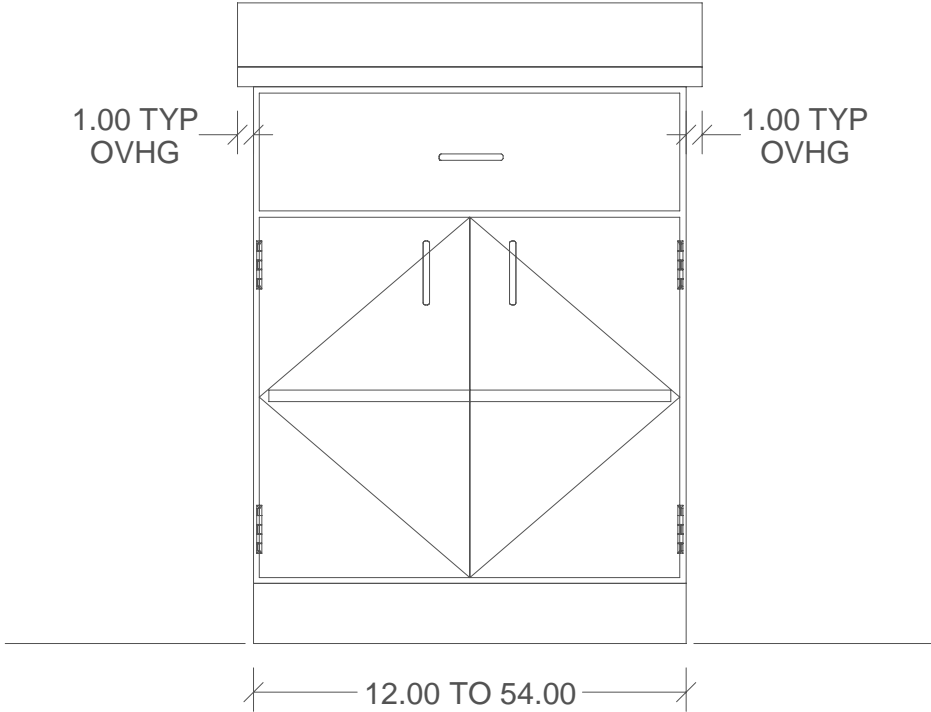
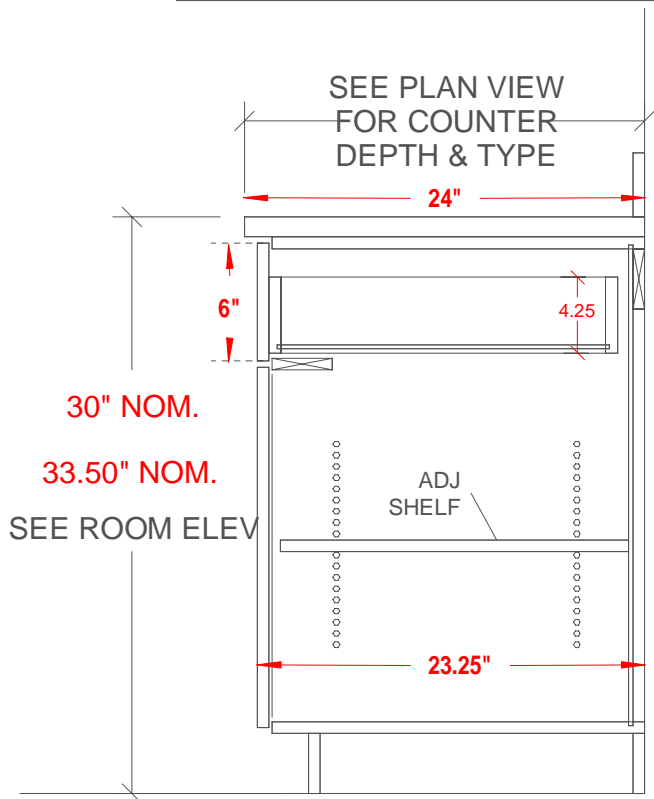
RECOMMENDED DOOR DRAWER BASE CABINET ADJUSTABLE SHELF QTY NOTE:
 28" AFF --- NO SHELF
 30" - 32" AFF --- 1x SHELF
 34" - 39" AFF --- 2x SHELVES
 42" - 48" AFF --- 3x SHELVES

4IN NOM TOE KICK REQUIRED ON ALL BASE CABINETS -- U.N.O.

CABINET DOOR NOTE: SINGLE DOOR CONFIGURATION AVAILABLE IN CABINETS 12-24IN WIDE --- DOUBLE DOOR (AS SHOWN HERE) CONFIGURATION AVAILABLE IN CABINETS 21-54IN WIDE

STANDARD DRAWER PULL NOTE: SINGLE DRAWER PULL TO BE SUPPLIED ON INDIVIDUAL DRAWERS 12-24IN WIDE (AS SHOWN HERE) --- DOUBLE DRAWER PULLS TO BE SUPPLIED ON DRAWERS 27-54IN WIDE

CABINET DRAWER NOTE: SINGLE DRAWER CONFIGURATION AVAILABLE IN CABINETS 12-42IN WIDE --- DOUBLE DRAWER (AS SHOWN HERE) CONFIGURATION AVAILABLE IN CABINETS 24-54IN WIDE



1 Typ. Drawer/Door Base Section
NTS

Centura Health -Fountain Urgent Care
Casework Shop Drawings

Typ.Cabinet Sections

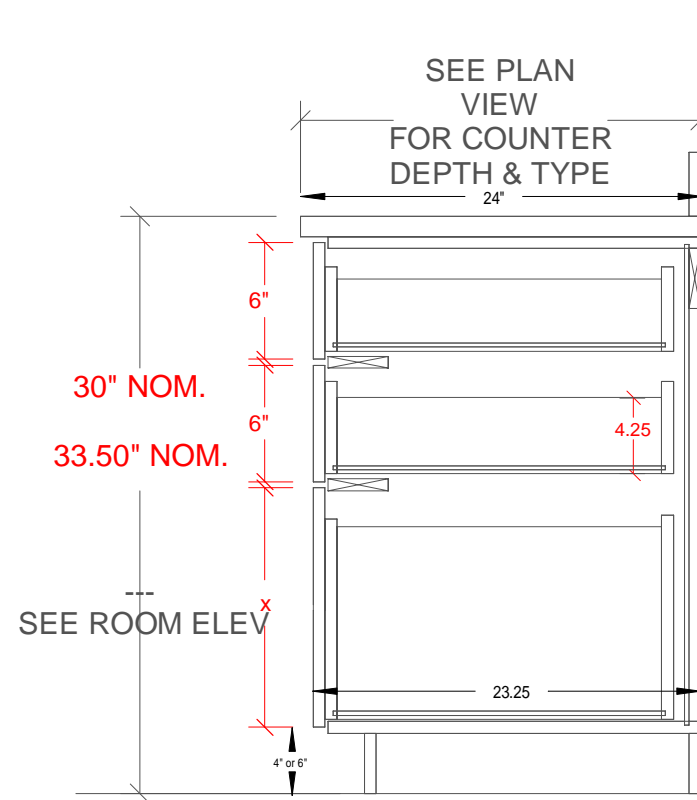
Project number	Project Number
Date	01/02/2020
Drawn by	RJR
Checked by	Checker

S1
Scale NTS

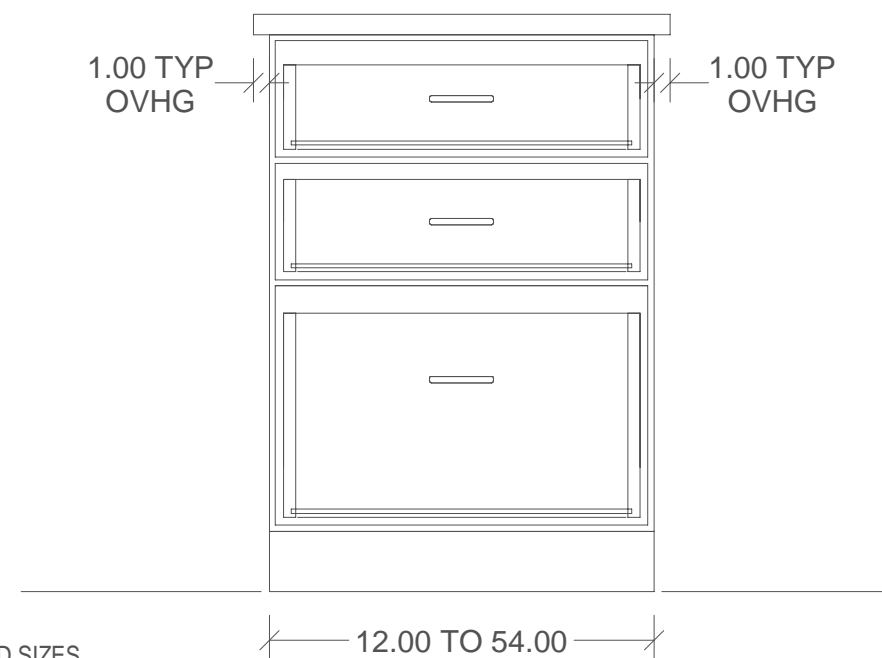
STANDARD DRAWER PULL NOTE:
 SINGLE DRAWER PULL TO BE
 SUPPLIED ON INDIVIDUAL DRAWERS
 12-24IN WIDE (AS SHOWN HERE)
 DOUBLE DRAWER PULLS TO BE
 SUPPLIED ON DRAWERS 27-54IN WIDE

4IN NOM TOE
 KICK
 REQUIRED ON
 ALL
 BASE CABINETS --
 U.N.O.

HEAVY DUTY STEEL BALL-
 BEARING GLIDES, TYP.



SEE CABINET ELEVATION FOR DRAWER QUANTITY AND SIZES



① Typ. Drawer Base Section
 NTS

Centura Health -Fountain Urgent Care
 Casework Shop Drawings

Typ.Cabinet Sections

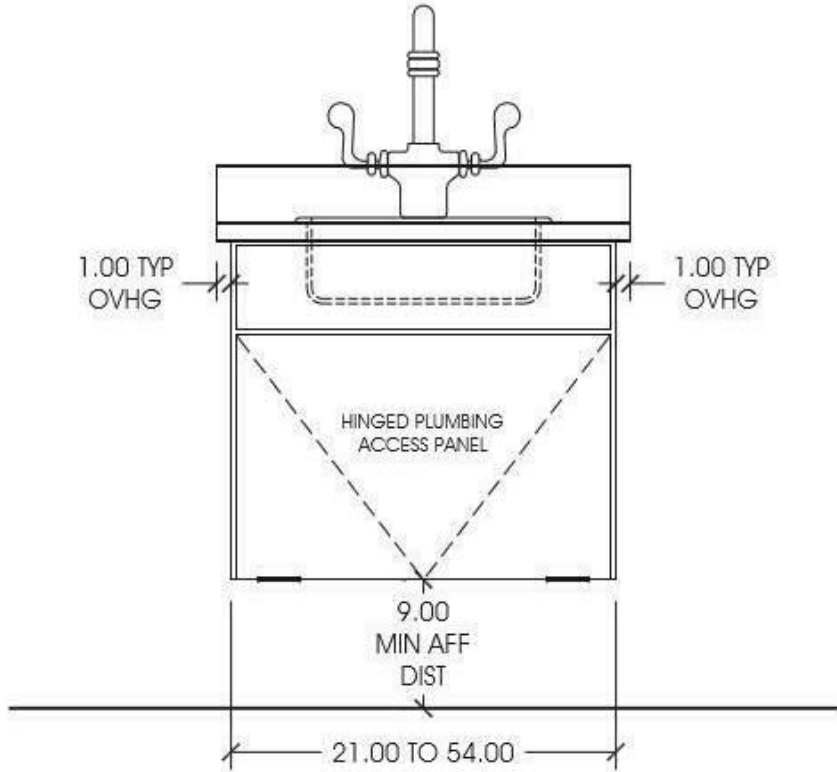
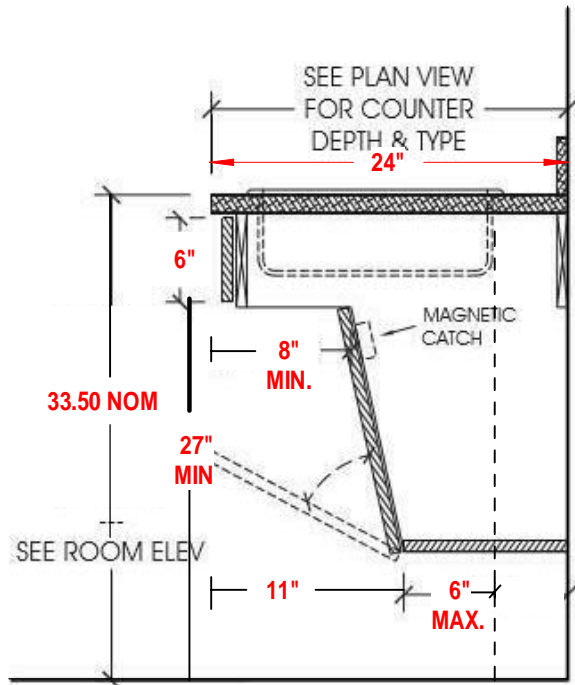
Project number	Project Number	S2
Date	01/02/2020	
Drawn by	RJR	
Checked by	GM	
		Scale NTS

NOTE: SINK & PLUMBING FIXTURES N.I.C. -- U.N.O.

COORD ALL PLUMBING FIXTURE INSTALL/S WITH TRADES

PLUMBING FIXTURES SHOWN HERE FOR GRAPHICAL REFERENCE ONLY & WILL NOT BE SUPPLIED AS PART OF THIS CONTRACT

CABINET DRAWER NOTE: SINGLE DRAWER (AS SHOWN HERE) CONFIGURATION AVAILABLE IN CABINETS 21-54IN WIDE --- DOUBLE DRAWER CONFIGURATION AVAILABLE IN CABINETS 24-54IN WIDE



① Typ. ADA Sink Base Section
NTS

Centura Health -Fountain Urgent Care
Casework Shop Drawings

Typ.Cabinet Sections

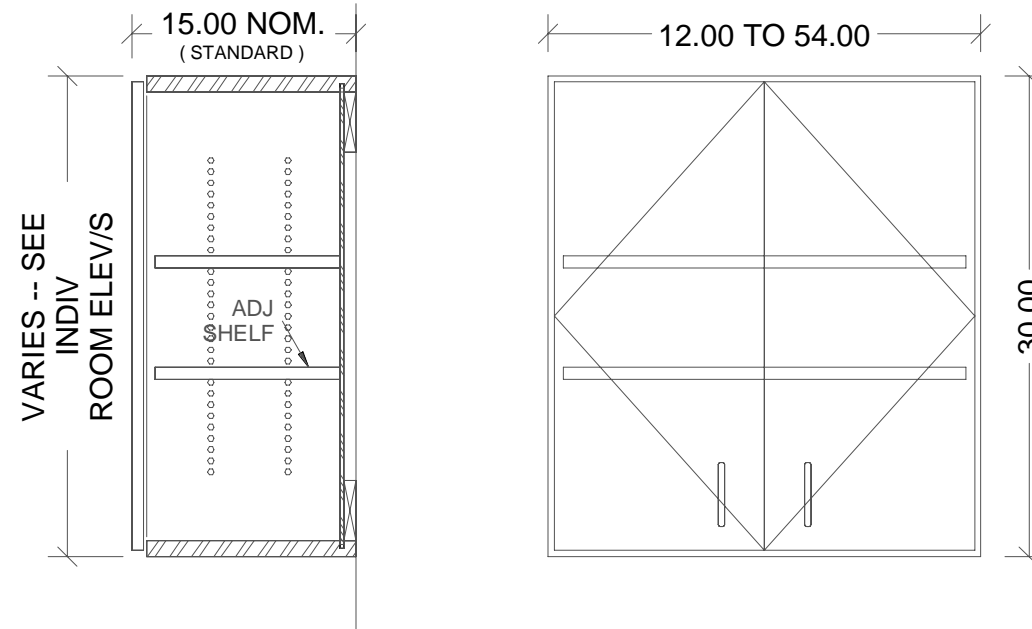
Project number	Project Number
Date	01/02/2020
Drawn by	RJR
Checked by	GM

S3
Scale NTS

CABINET DOOR NOTE: SINGLE DOOR CONFIGURATION AVAILABLE IN CABINETS 12-24IN WIDE --- DOUBLE DOOR (AS SHOWN HERE) CONFIGURATION AVAILABLE IN CABINETS 21-54IN WIDE

ADJUSTABLE SHELF QUANTITIES AS INDICATED ON THE INDIVIDUAL PLAN & ELEVATION VIEWS -- U.N.O.

RECOMMENDED WALL CABINET ADJUSTABLE SHELF QTY NOTE:
 12" & 15" TALL --- NO SHELF
 18" TO 24" TALL --- 1x SHELF
 27" TO 39" TALL --- 2x SHELVES
 42" TO 48" TALL --- 3x SHELVES



① Typ. Wall Cabinet Section
NTS

Centura Health -Fountain Urgent Care
Casework Shop Drawings

Typ.Cabinet Sections

Project number	Project Number	S4
Date	01/02/2020	
Drawn by	Author	
Checked by	Checker	
		Scale NTS

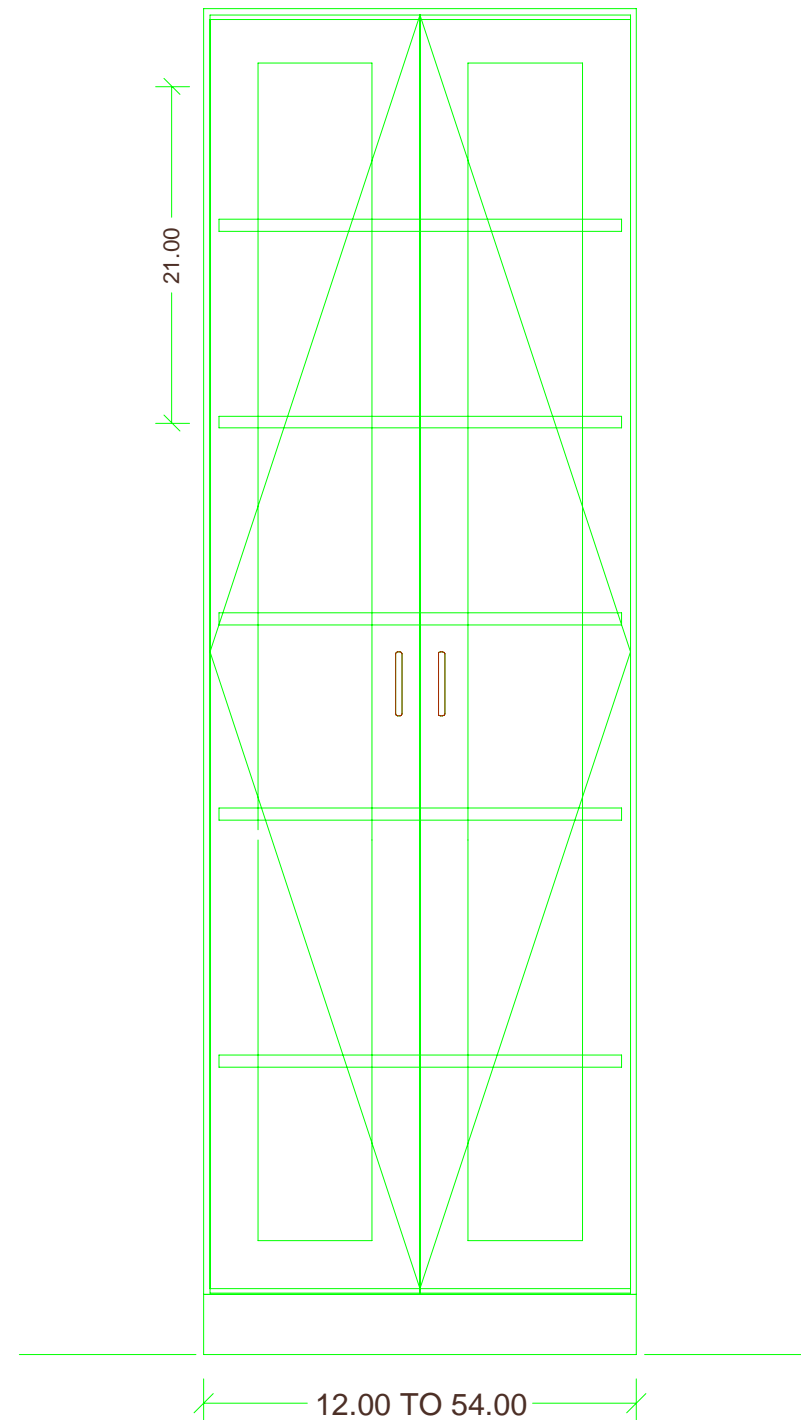
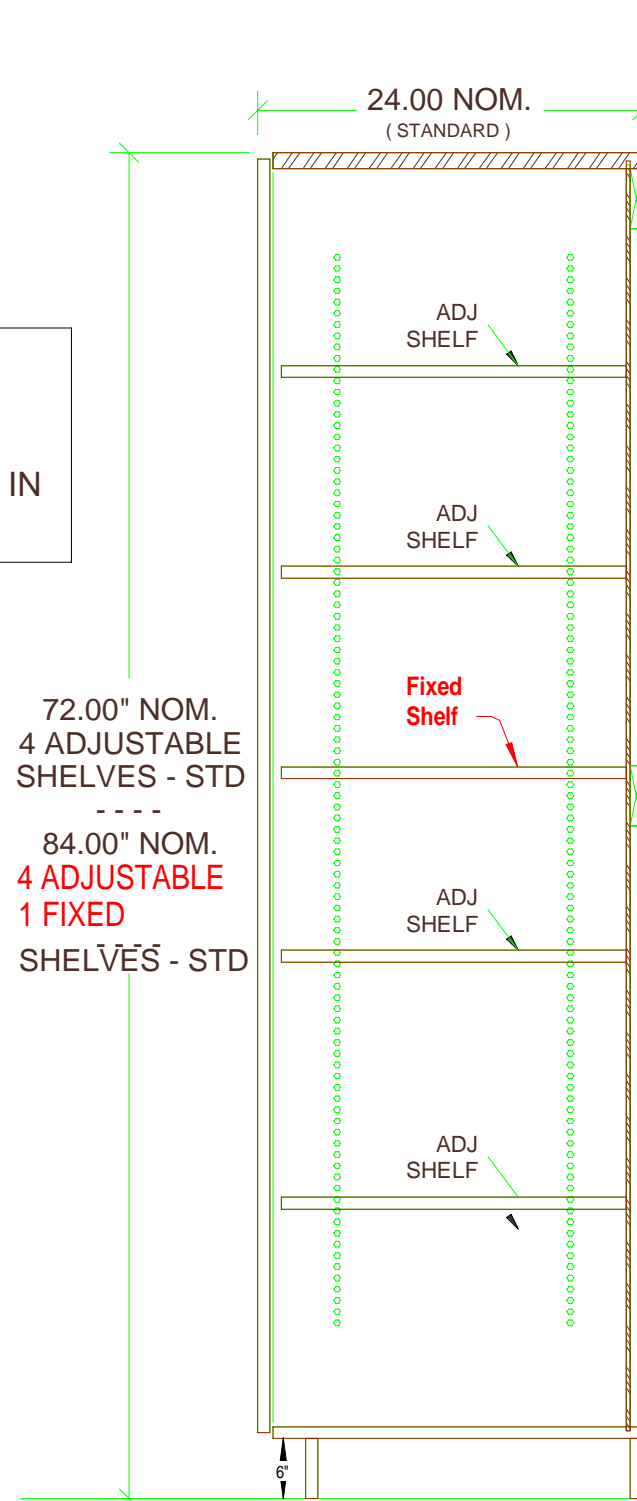
NOTE: TEMPERED SAFETY GLASS SHALL BE SUPPLIED FOR ALL 'GLASS DOOR' CABINETS. (U.N.O.) GLASS TO BE HELD IN PLACE BY INDUSTRY STANDARD, SHEET GLASS CLIPS.

CABINET DOOR NOTE: SINGLE DOOR CONFIGURATION AVAILABLE IN CABINETS 12-24IN WIDE --- DOUBLE DOOR (AS SHOWN HERE) CONFIGURATION AVAILABLE IN CABINETS 21-54IN WIDE

ADJUSTABLE SHELF QUANTITIES SHOWN HERE ARE 'STANDARD' QUANTITIES. 1 FIXED CENTER SHELF MAY BE SUPPLIED, ONLY IF INDICATED. THE INDIVIDUAL PLAN & ELEVATION VIEWS INDICATE THE EXACT TYPE & QUANTITY OF SHELVES TO BE SUPPLIED PER EACH CABINET-- U.N.O.

ADJUSTABLE SHELF QUANTITIES AS INDICATED ON THE INDIVIDUAL PLAN & ELEVATION VIEWS -- U.N.O.

4IN NOM TOE KICK REQUIRED ON ALL TALL CABINETS -- U.N.O.

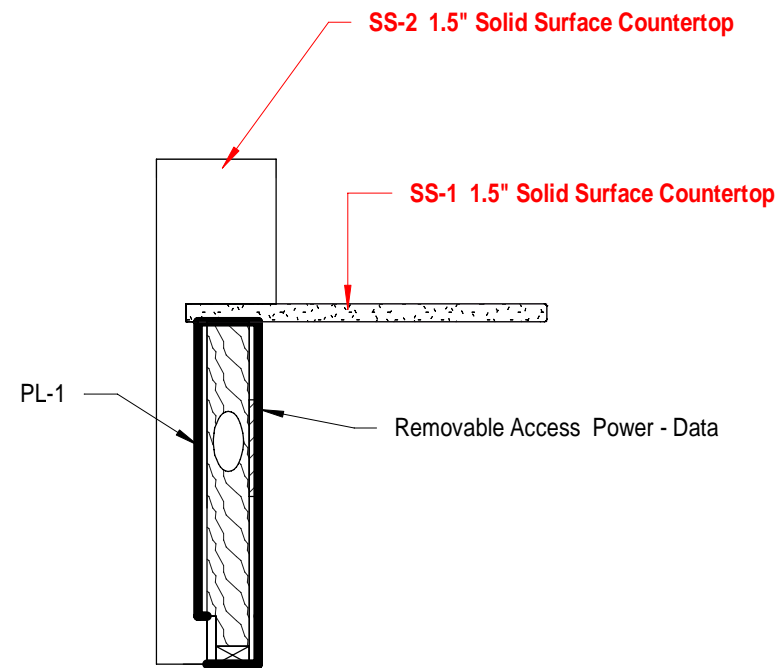


1 Typ. Glass Door Storage Cab. Section
NTS

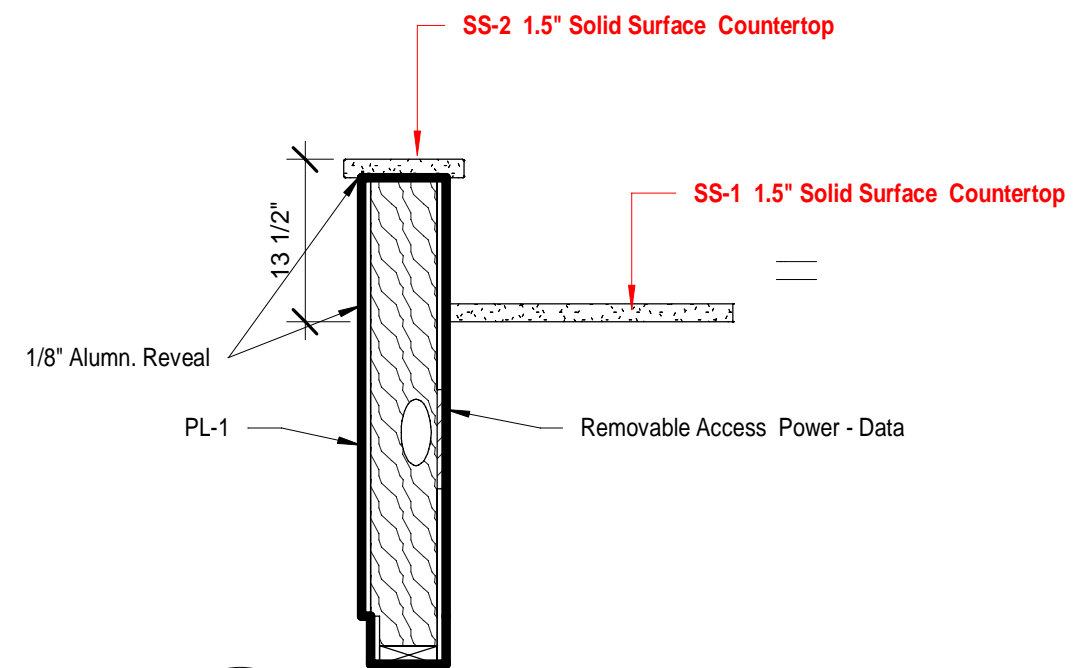
Centura Health -Fountain Urgent Care Casework Shop Drawings

Typ.Cabinet Sections

Project number	Project Number	S5
Date	01/02/2020	
Drawn by	RJR	
Checked by	MG	
		Scale NTS



1 Reception Counter Detail Section 1
S6 3/4" = 1'-0"



2 Reception Counter Detail Section 2
S6 3/4" = 1'-0"

Centura Health -Fountain Urgent Care
Casework Shop Drawings

Typ. Reception Counter Section

Project number	Project Number	S6
Date	01/02/2020	
Drawn by	RJR	
Checked by	GM	
		Scale 3/4" = 1'-0"